

www.sedecal.com

SEDECAL
Pelaya, 9 - Polígono Industrial "Río de Janeiro"
28110 - Algete (Madrid) - SPAIN
Central Offices:
Tel: (34) 91 - 628 05 44 / 91 - 628 15 92
Fax: (34) 91 - 628 05 74
Email: marketing@sedecal.com

Factory:
Tel: (34) 91 - 629 07 21
Fax: (34) 91 - 629 07 83
Email: manufacturing@sedecal.com

Sedecal USA Inc
2920 N. Arlington Heights Road
Arlington Heights, Illinois 60004 - USA
Tel: 1 (847) 394 - 6960
Fax: 1 (847) 394 - 6966
Email: sales@sedecalusa.com

DISTRIBUTED BY:



VET X
Technology



 SEDECAL

VETERINARY Division

Portable X ray Unit



SP-HF-VET 2.0/4.0

Convenient and safe transportation in any working environment is ensured. A Rolling Case with telescopic handle is included with the equipment.



maximum range 4kW Power
110 kV
100 mA
300 kHz
0,6 mm / 1,5 mm

Exposure time is continuously calculated and can be easily displayed.

This high performance equipment is based on the following principle: for any combination of kV and mAs the portable always uses the maximum mA value with the minimum Exposure Time. The exposure parameters are automatically optimized.

The intelligent software automatically chooses the Focal Spot to apply based on the exposure parameters selected by the operator. Manual selection of Small and Large Focal Spot is also available for those cases in which it is needed.

.. and perhaps, the most important feature is that this is the only Equipment in the Market with Automatic Power Regulation from 90 to 285 Volts (AC)

High Frequency X-ray Generators for Veterinary applications

All non portable X-ray units manufactured by SEDECAL have a common core for the optimum performance of all X-ray Systems – The X-Ray Generator.

Microprocessor based High Frequency Generator.
The best performance and quality in an incredible size:

CAPACITOR ASSISTED Generator
The best solution for locations with a limited/ weak Power line, or with an unsteady voltage.



▶ LINE POWERED

▶ BATTERY POWERED

▶ CAPACITOR ASSISTED

SPECIFICATIONS	LINE POWERED	BATTERY POWERED	CAPACITOR ASSISTED
Anatomical Programmer	330 views	330 views	330 views
AEC (Automatic Exposure Control)	Optional	Optional	Optional
Fluoro Options	Optional	Optional	Optional
Power range (adjustable)	16/20/32 kW (1)	32 kW (2)	16/20/32 kW (2)
Anode maximum Voltage	125/150 kV	125/150 kV	125/150kV
Maximum Current	400 mA	400 mA	400 mA
Exposure Time	1 msec. - 10 seconds	1 msec. - 10 seconds	1 msec. - 10 seconds
Line Voltage range and Phases	110/230 Vca-single phase 400 Vca-three phase	110/230 Vca-single phase	110/230 Vca-single phase
Line power requirement	depend on the output power	500 w (*) (X-Ray Tube + generator)	2.200 w (*)
Weight	65 kg	235 kg	108 kg
Dimensions	568 x 445 x 360 mm	948 x 813 x 436 mm	790 x 500 x 360 mm

(1) 40, 50, 64 and 80 kW power levels available on request.
(2) 40 and 50 kW power levels available on request.

(*) For all power output level

X-ray Systems for the Veterinary Clinic

VARIABLE FOCAL DISTANCE + SLIDING COLUMN PREMIUM VET



The Variable Focal Distance System, equipped with a Sliding Column allows the user to operate in a wider range for oblique examinations and horizontal beam imaging.



X-ray System for Large Animals



General View of the X-ray room for Large Animals



- Extremely light design (aluminium and high precision mechanics applied).
- Wide horizontal and vertical travel.
- Extraordinary smooth movements in all directions and angles for fast and accurate system positioning.



Portable X ray Unit

SP-HF-VET + SUPR - C



The Collapsible Stand with Articulated Arm makes this Portable X-ray Unit the best choice for Veterinary Use - small animals.

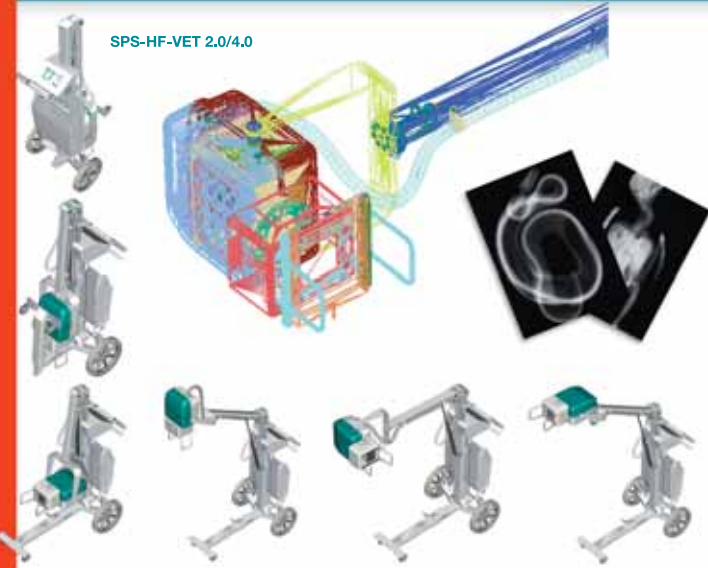
The articulating arm can be attached at three different height positions, which allows standing exposures (horses and small animals).



Dragon X

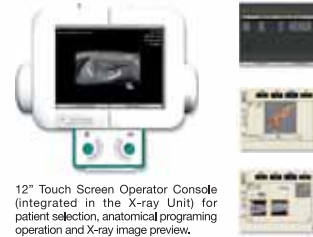
Digital-Vet X-Ray System

SPS-HF-VET 2.0/4.0



Digital-Vet

X-ray Image ready in just 6 seconds after X-ray exposure!



12" Touch Screen Operator Console (integrated in the X-ray Unit) for patient selection, anatomical programming operation and X-ray image preview.



The following equipment is used to provide the High Quality Digital Image: Direct Digital Detector (High Definition CCD Camera) + High performance X-ray System (High Power and High Frequency generator) + Rotating Anode X-ray Tube with High Resolution focal spots (0,3/1,0 mm) + High Resolution Monitor + Professional PC

VET TABLE INTERNAL STRUCTURE



DUAL FUNCTION

examinations **WITH GRID** (for general purpose)

... and **WITHOUT GRID**, that improves the image quality for the examinations of the animal extremities

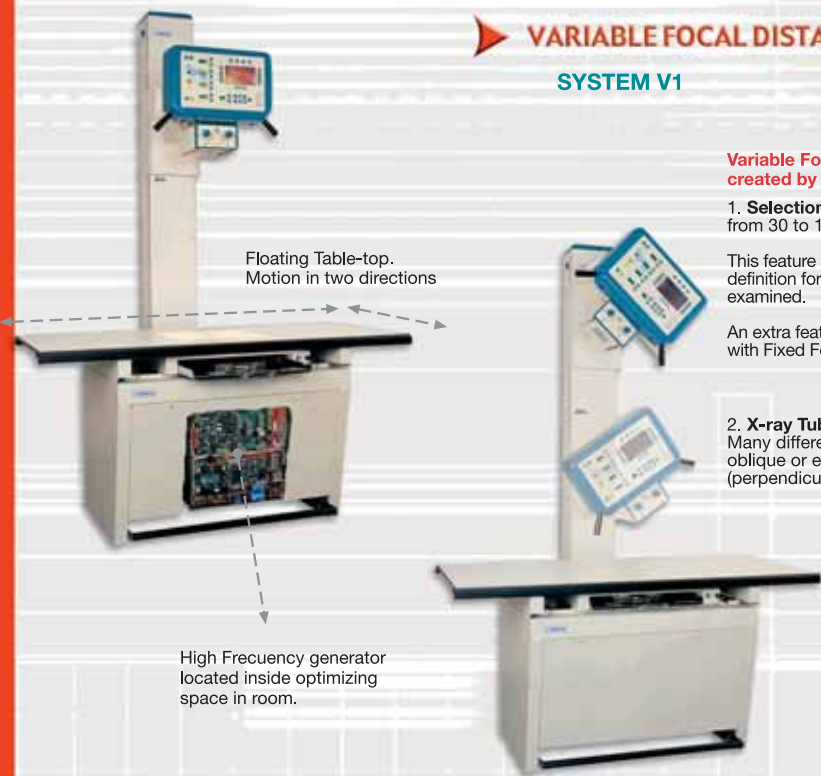


Network Compatibility



DICOM 3.0 compliance allows for integration of the Digital-Vet system with other DICOM applications including PACS, RIS, reading stations and laser printers.

VARIABLE FOCAL DISTANCE
SYSTEM V1



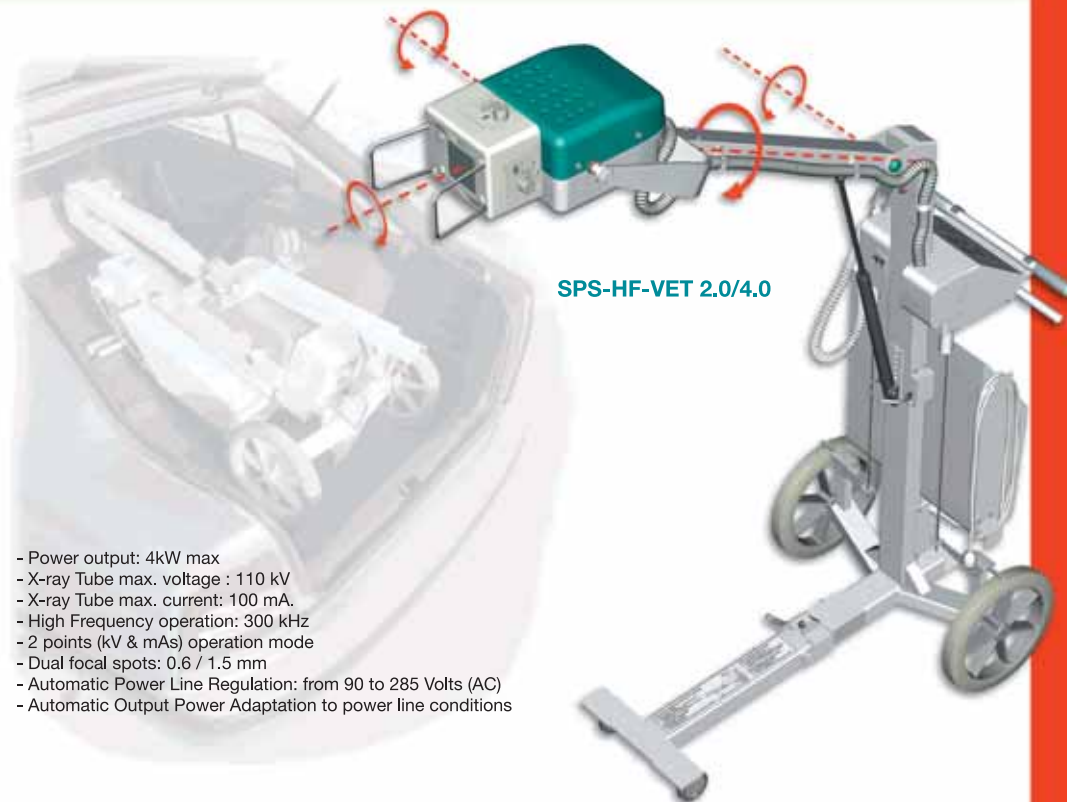
Variable Focal Distance Systems created by SEDECAL allows:

1. **Selection of Focal Distance (SID)** from 30 to 120 cm (11.8 - 47.2)"

This feature provides maximum exposure definition for the anatomical part to be examined.

An extra feature not available on Systems with Fixed Focal Distance.

2. **X-ray Tube rotation +90°/-90°.** Many different exposure positions, oblique or even horizontal beam exposures (perpendicular to a standing animal body)



SPS-HF-VET 2.0/4.0

- Power output: 4kW max
- X-ray Tube max. voltage : 110 kV
- X-ray Tube max. current: 100 mA.
- High Frequency operation: 300 kHz
- 2 points (kV & mAs) operation mode
- Dual focal spots: 0.6 / 1.5 mm
- Automatic Power Line Regulation: from 90 to 285 Volts (AC)
- Automatic Output Power Adaptation to power line conditions

X-ray System for the Veterinary Clinic

X-ray System for the Veterinary Clinic

▶ FIXED FOCAL DISTANCE

SYSTEM F1



SYSTEM F2

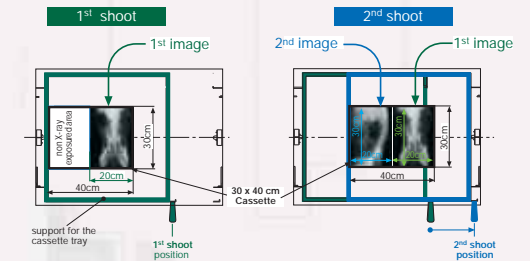


By simply moving of the Cassette Film Tray position, two different images can be obtained in the same film.

For example, for a 30 x 40 cm (12 x 16)" film size the following exposure layouts are available:

- longitudinal axis - 2 x (15 x 40 cm) (6 x 16)" exposures can be performed in the same film
- transversal axis - 2 x (20 x 30 cm) (8 x 12)" exposures can be performed in the same film

TWO consecutive Exposures over the same 30 x 40 cm film = TWO 20 x 30cm different IMAGES in the same film



- ... more than 300 anatomical views (Anatomical Animal Program)
- A.E.C Option (Automatic Exposure Control)
- Fluoro Option
- Operation mode: 1, 2 or 3 points
- 3 types of film sensitivity
- Two focus: 1 and 2 mm,
- ... and much more

